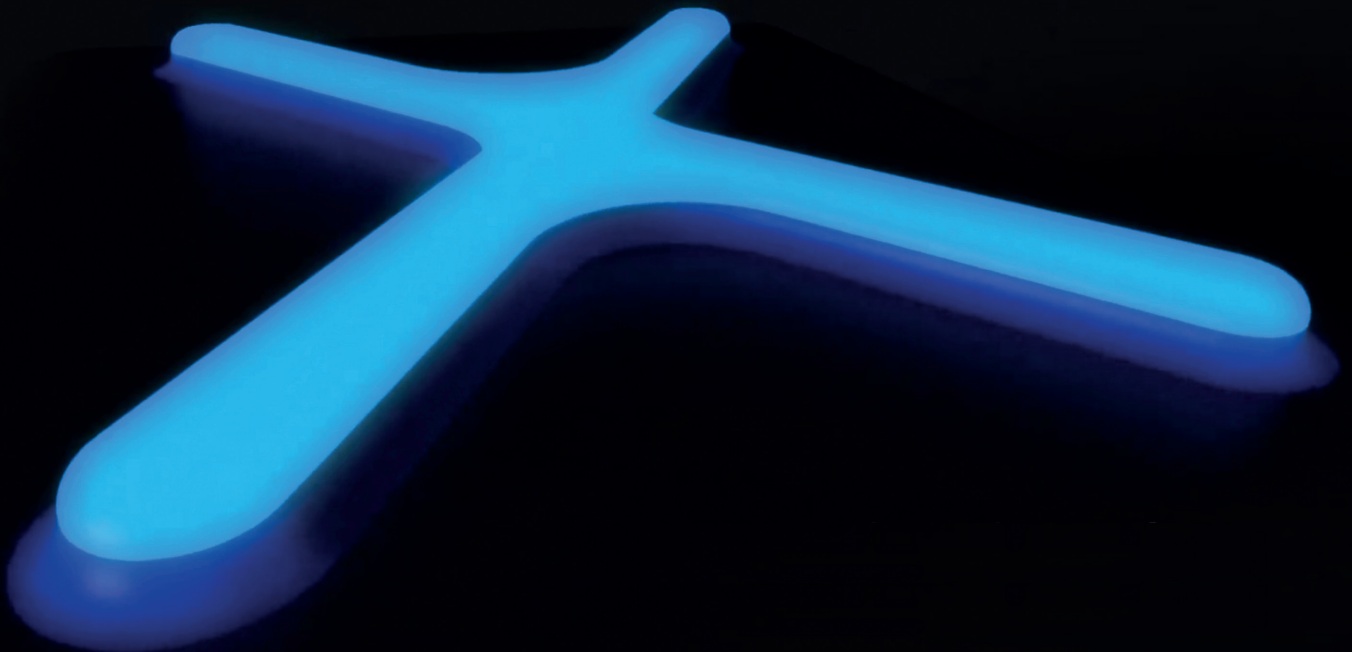


X-CUT THE SPACE SAVER

bullmer
cutting room technology

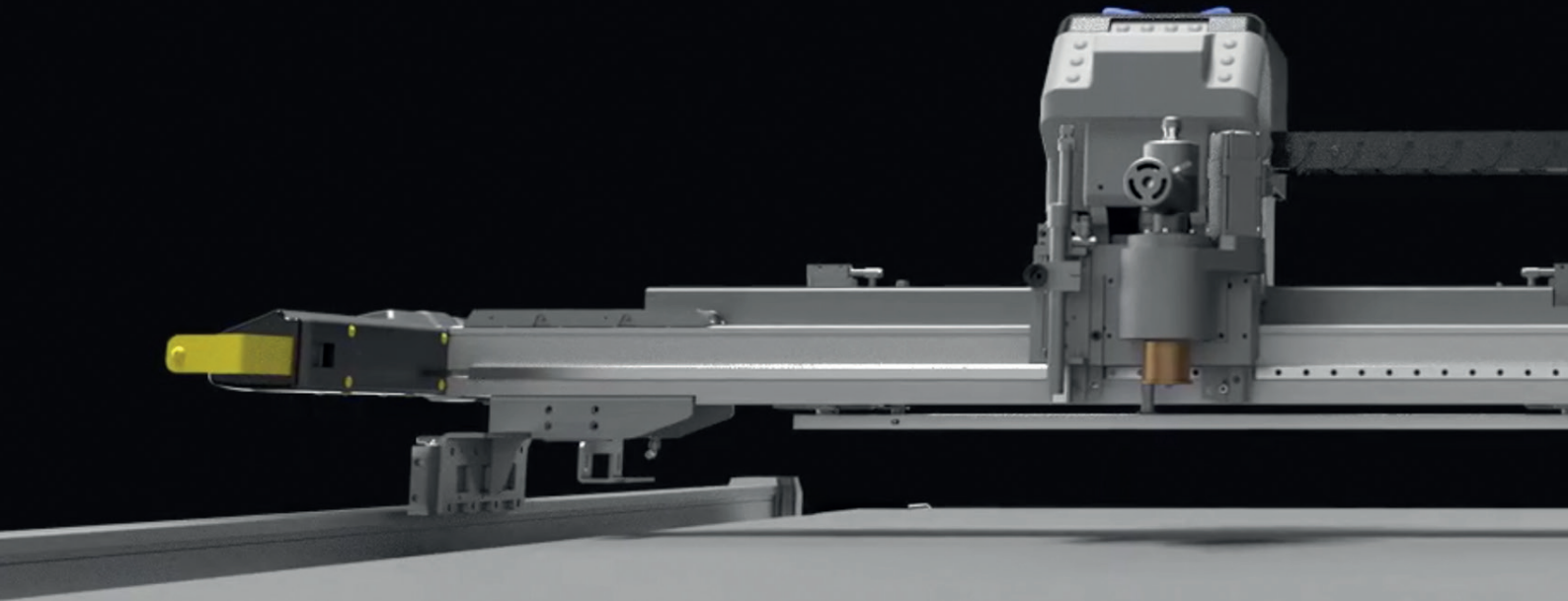
- innovative
- space-saving
- future-oriented



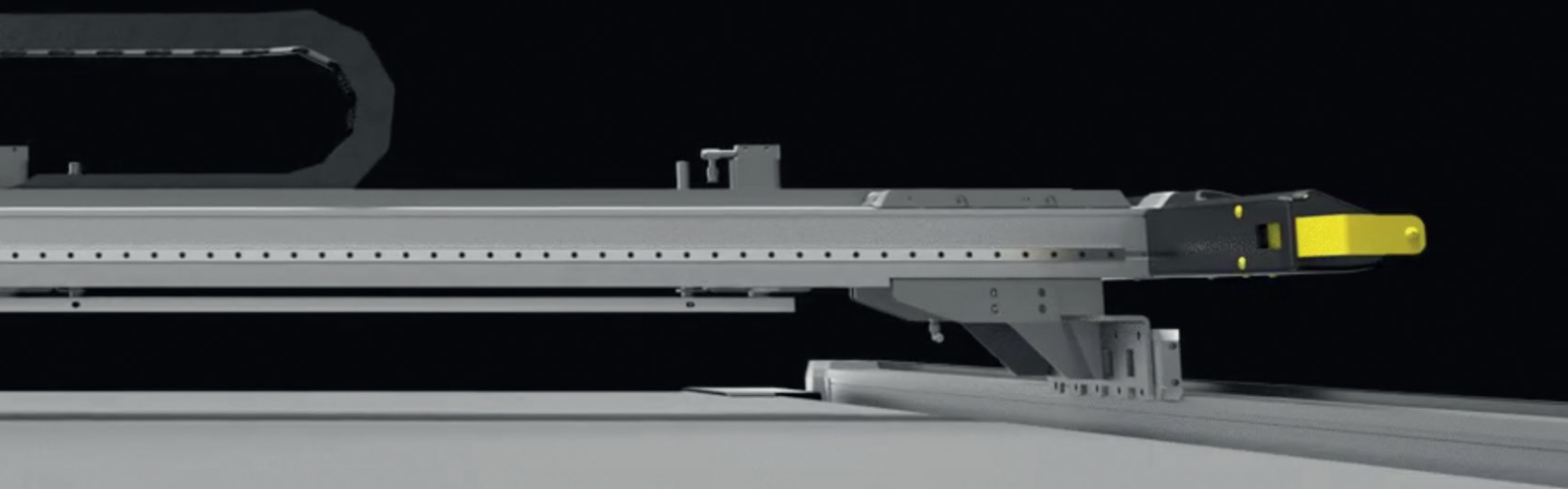
X-CUT

THE SPACE SAVER

The light version of the famous bullmer Premiumcut ELC is not only for beginners but also for experts. The X-CUT is robust, space saving and convinces with an attractive price performance ratio.



X^{CUT} - П



The X-Cut cutting machine that grows with its tasks.

variable options:

Working width:

Standard working length	2000mm
Standard working width	1600 mm
Working height	880 mm +/- 40 mm
Max. cutting height	(depending on material)
Max. Acceleration	up to 2g
Positioning speed	120 m/min
Repeat accuracy	0,1mm
Weight	930 kg

Connection values:

Vakuum	open
Compressed air	6 bar
Power	3,5 kW plus performance of the vacuum pump (7,5 kW)

Betriebsumgebung:

Humidity	< 80%
Temperature	15-35 °C

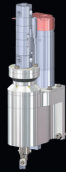
X-CUT-TT:	X-CUT-FU:	X-CUT-AP:
technical textile	furniture	apparel
Connector module 2.0	Connector module 2.0	Connecto rmodule 2.0
Universal module 1	Universal module 1	Universal module 1
Drag Knife	Notch Module	Notch Module
Pen Drawing tool	el. powered rotary knife	el. powered rotary knife
Man. unwinding device-S1 / 1/6 (roll weight max. 100 kg roll diameter max. 600 mm) to pull the material roll from a bar	Man. Double roll unwinding device DWA 1/1/3 (roll weight max. 100 kg Roll diameter max. 300 mm).	Man. Double roll unwinding device DWA 1/1/3 (roll weight max. 100 kg Roll diameter max. 300 mm).

operation panel detachable





*Electric
powered
rotary knife*



Notch



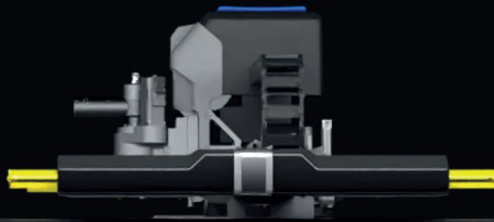
*Electric
oscillating
knife*



Drag knife



Pen Module



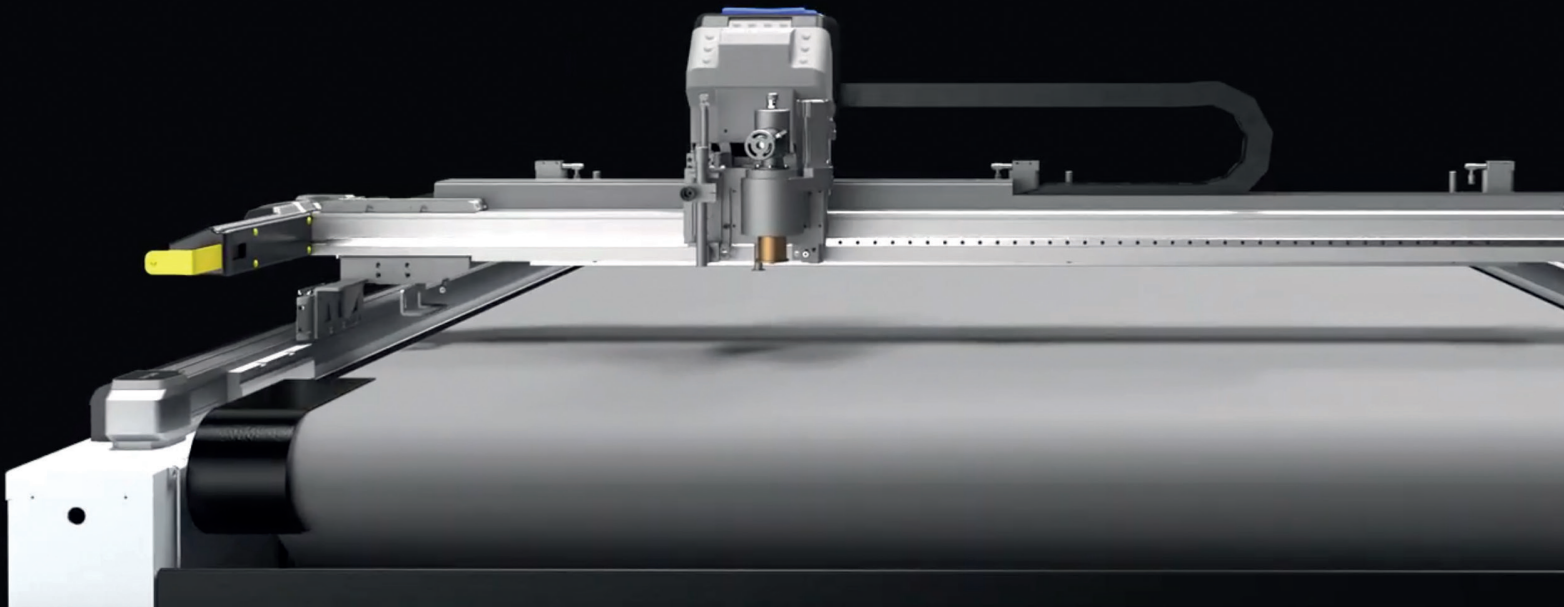
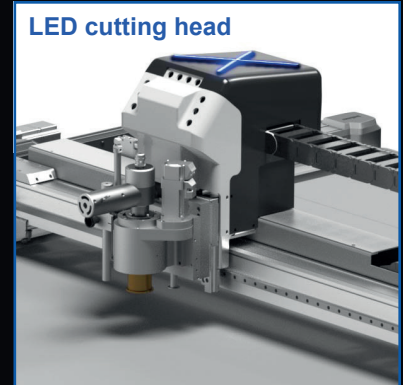

easy open

Fast and economical
Intelligent cutting... the right tool for almost every application

radically flexible
The X-Cut cuts materials up to 35 mm thick.

Extremely versatile
Strong but compact

The X-CUT scores with its sophisticated functions and tools.



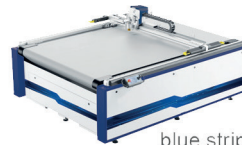
The X-CUT single-ply cutter that grows with its tasks.
The compact X-CUT single-layer cutter is radically flexible:
Short setup times and high flexibility. The X-CUT adapts ideally to
to your production processes. It is simply a space-saving
automatic cutting machine. Ever shorter product development times
place the highest demands on implementation in production.
In today's world, lean planning processes and clean a clean imple-
mentation. With the X-CUT from bullmer you realize shortest delivery
times and highest precision. The X-CUT offers the well-known and
experienced bullmer strength, which will help you to implement your
cutting processes in a targeted, competent and reliable way. With the
X-CUT you get real reinforcement. Not only for small batches or proto-
type orders but but also in the classic daily cutting routine.



b-honeycomb



w-honeycomb



blue stripe



black line



g-honeycomb



white/black



blue pattern

